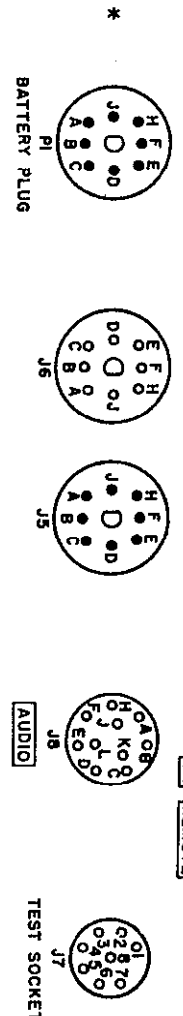


- NOTES:
1. UNLESS OTHERWISE INDICATED RESISTANCES ARE IN OHMS, CAPACITANCES ARE IN UUF, INDUCTANCES ARE IN UH.
 2. SWITCH S1 IS VIEWED FROM END OPPOSITE CONTROL KNOB.
 3. SWITCH S1 IS SHOWN IN OFF POSITION.
 4. INDICATES EQUIPMENT MARKING.



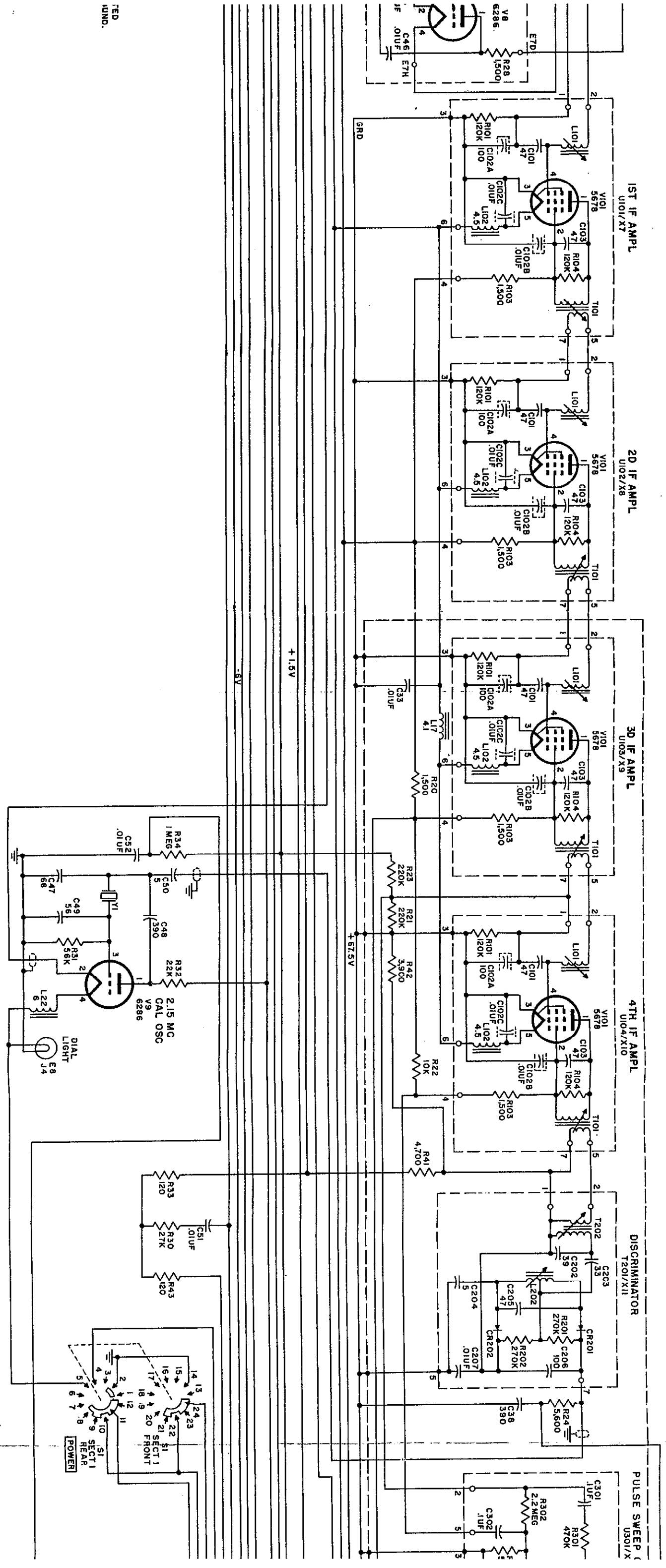
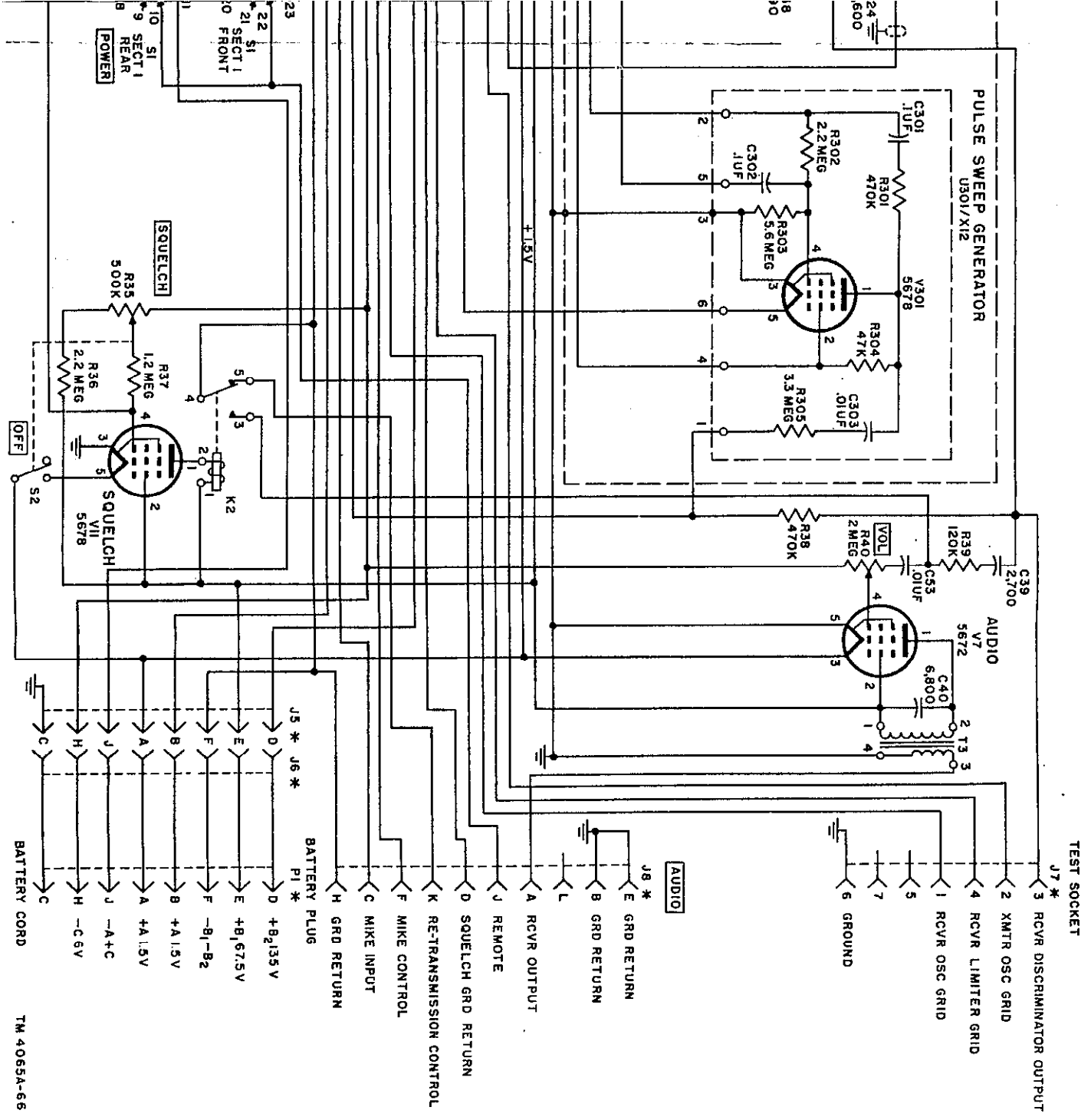


Figure 57. Radio Set AN/PRC-9A and -10A, schematic diagram.



387372 O-56 TM 4065A-66

3 of 3

END